

# PREVENTING MALADIES PROTECTING HEALTH

From book WRITINGS II by Irina Rodica Rabeja

An early object with a history dating back 9000 years in the country of Mesopotamia is the pillow made from stone blocks, designed more to keep bugs out of the ears than for comfort.

The pillows changed over time in shapes, materials, purpose and meaning presenting an interesting evolution from more viewpoints.

Ancient Chinese pillows were more decorative and made from bamboo, porcelain and bronze.

Romans and Greeks of Ancient Europe used pillows made from cotton filled with cotton, reeds or straw, to support the head in bed and to have some comfort.

In the Middle-Ages the pillows were made from linen and cotton filled with straw or goose down, but were not often used because they were considered a sign of weakness.

The first Industrial Revolution about 1800 year, facilitated the mass production of affordable pillows and so they became used in every household and over time, the history of the pillow has seen many different pillow shapes and sizes, whilst serving many alternative uses.

Today, by undertaking a revolutionary process, the pillows are made from a variety of different fabrics such as cotton, linen, polyester and beside down or feather use superior fillings to offer a high level of support and comfort. There is a hypo-allergic option for people who are allergic to usual down and feather fillings. There are neck pillows known as orthopaedic or cervical pillows, which offer additional neck and head support. There are also body pillows from 3 to 5 feet in length to offer support to the neck, legs, knees and abdominal area.

Any pillow you chose to sleep with each night should offer you an optimal comfort level so you can wake feeling well rested and refreshed every time.

And if the pillow can prevent you to become ill, it would be the ultimate achievement.

The novelty pillows presented further have been specially devised in order to provide new types of pillow of simple, cheap, effective and readily construction and whereby the head is comfortable rested, allowing to be protected from cold air and maintained at body temperature, very suitable in cold nights, cold weather, cold regions and preventing maladies like cold, flu, migraine, sinusitis, otitis, meningitis, encephalitis, tumour etc. while it is allowing to breath comfortably. They are:

“Pillow Variant” with \*IPA innovation patent nr. 2010101399 and

“Hood Pillow” with IPA innovation patent nr. 2011101637

Their serial production entitles the author to royalties.

# PILLOW VARIANT

**The following statement is a full description of this invention, including the best method of performing it known to me:**

It is very known that a pillow is a rectangular cushion, which supports the head when you are resting in bed. This invention has been specially devised in order to provide a variant for pillow of simple, cheap, effective and readily construction and whereby the head is protected from cold air and may be warmly kept and any unintentional contact with cold air is prevented.

A *pillow variant* in accordance with this invention comprises an ordinary pillow with another ordinary pillow mounted over it to up edge by sewing them at the three matching edges.

The opening between the two pillows is of such a size and in such a position that when the head is resting on the first pillow, its upper part is covered by the second pillow, together mounted pillows are an assembly acting like a hood allowing the head to be protected from cold air and maintained at body temperature, very suitable in cold nights, cold weather, cold regions and preventing illnesses like cold, flu, migraine, sinusitis, otitis, meningitis, encephalitis, tumour etc. while it is allowing to breath comfortably.

The first pillow is of width W and height H and the other pillow is of width W and height H/2.

## CLAIMS

The claims defining the invention are as follows:

1. A *pillow variant* comprising an ordinary pillow size WxH with another ordinary pillow size WxH/2 mounted over it to up edge by sewing them at the three matching edges.
2. A *pillow variant* as claimed in claim 1 is an assembly with an opening so that when the head is resting on the first pillow, its upper part is covered by the second pillow.
3. A *pillow variant* according to claims 1, 2 wherein the assembly is made from cotton and filled with down. Other suitable materials can be used.
4. A *pillow variant* substantially or herein before described with reference to Figures 1-3 of the accompanying drawings.
5. A *pillow variant* according to claims 1, 2 wherein the assembly prevents the direct contact with cold air in the time of resting while allowing a comfortable breath.

## ABSTRACT

The disclosed *pillow variant* is the assemblage of an ordinary pillow 1 size WxH with another pillow 2 size WxH/2 mounted over it to up edge by sewing the matching edges 3, those pillows forming an assembly with an opening 4 of such a size and in such a position that when the head is resting on the first pillow, its upper part is covered by the second pillow, together mounted pillows acting like a hood preventing the direct contact with cold air in the time of resting with a comfortable breath.

## DRAWINGS

The invention may be better understood with reference to the illustrations of embodiments of the invention which:

Figure 1 is a view of an ordinary pillow of width W and height H.

Figure 2 is a view of another ordinary pillow of width W and height H/2.

Figure 3 is a view of a pillow variant, the assemblage of the pillows presented in Figures 1 and 2 in conformity with the invention.

The *pillow variant* is the assemblage of an ordinary pillow 1 of size W x H with another pillow 2 of size W x H/2 mounted over it to up edge by sewing the matching edges 3, those pillows forming an assembly with an opening 4 of such a size and in such a position that when the head is resting on the first pillow, its upper part is covered by the second pillow, together mounted pillows acting like a hood preventing the direct contact with cold air in the time of resting while allowing a comfortable breath

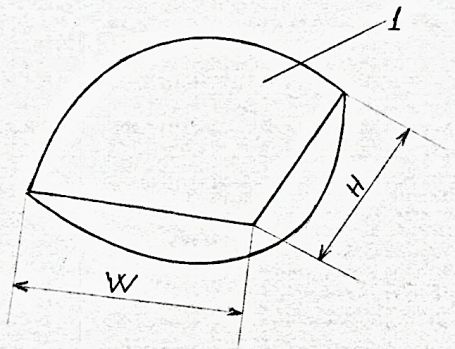


FIG. 1

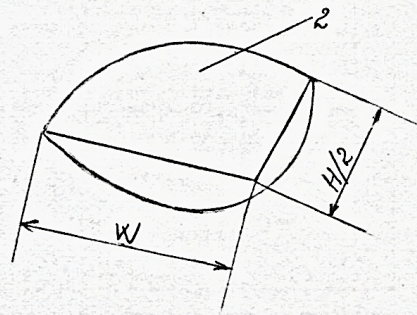


FIG. 2

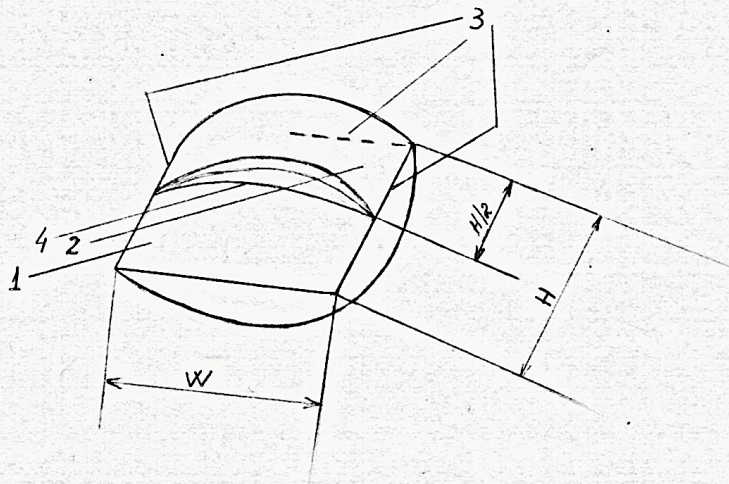


FIG. 3

# HOOD PILLOW

**The following statement is a full description of this invention, including the best method of performing it known to me:**

It is very known that a pillow is a rectangular cushion that supports the head when you are resting in bed. This invention has been specially devised in order to provide a variant for pillow of simple, cheap, effective and readily construction and whereby the head is protected from cold air and may be warmly kept and any unintentional contact with cold air is prevented while allowing a normal breath.

A *hood pillow* in accordance with this invention comprises an ordinary pillow of size  $W \times L$  with open mounted zips, one on the lateral left edge and one on lateral right edge, on  $2L/3$  from the top allowing by zipping up to transform the pillow in a hood.

The opening of the *hood pillow* is of such a size and in such a position that when the head is resting its upper part is covered by the upper part of the pillow, the assembly acting like a hood allowing the head to be protected from cold air and maintained at body temperature, very suitable in cold nights, cold weather, cold regions and preventing illnesses like cold, flu, migraine, sinusitis, otitis, meningitis, encephalitis, tumour etc. while allowing to breath comfortably.

The ordinary pillow is of width  $W$  and of length  $L$  and the zips are mounted on the lateral edges on  $2/3$  of length from top; by zipping up, resulting device *hood pillow* is of width  $W$  and of length  $2L/3$  (size  $W \times 2L/3$ ) with an opening for the upper part of the head of size  $W \times L/3$ .

The hood pillow is made from cotton and filled with down. Other suitable materials can also be used. A hood pillow can also be in accordance with this invention by replacing the zips in fastened position by sewing.

## CLAIMS

The claims defining the invention are as follows:

1. The *hood pillow* in accordance with this invention comprises an ordinary pillow with two zips, one on the left edge and one on the right edge, opened mounted on  $2/3$  of the edges from the top allowing by zipping up to transform the pillow in a hood.
2. The *hood pillow* as claimed in claim 1 is an assembly with an opening so that when the head is resting on the pillow, its upper part is covered by the upper part of the pillow. It protects reliably against cold air while permits a normal breathing.
3. The *hood pillow* according to claims 1, 2 wherein the assembly is made from cotton and filled with down. Other suitable materials can be used.
4. The *hood pillow* substantially or herein before described with reference to Figures 1-2 of the accompanying drawings.
5. The *hood pillow* as claimed in claim 1 where the zips in fastened position can be replaced by sewing.

## ABSTRACT

The *hood pillow* in accordance with this invention comprises an ordinary pillow of suitable size with zips on the lateral left and right edges, open mounted on  $2/3$  of the edge length from the top, allowing by zipping up to transform the pillow in a hood.

The disclosed *hood pillow* is the resulting assembly of an ordinary pillow 1 with zips on the lateral edges mounted opened on  $2/3$  of their length from the top, allowing by zipping up to transform the pillow in a device with an opening 2 of such a size and in such a position that when the head is resting on the pillow, its upper part is covered by the upper part of the pillow like in a hood preventing the direct contact with cold air in the time of resting while allowing a normal breathing.

## DRAWINGS

The invention may be better understood with reference to the illustrations of embodiments of the invention which:

Figure 1 is a view of an ordinary pillow of width  $W$  and length  $L$  with complete opened zips on  $2L/3$  length on each of lateral edges.

Figure 2 is a view of the resulting assembly in conformity with the invention, the *hood pillow* of width  $W$  and length  $2L/3$ .

The *hood pillow* is the device resulting from the ordinary pillow 1 by zipping up  $2/3$  length of each lateral edge left and right (by themselves), the assembly having an opening 2 of such a size and in such a position that when the head is resting, its upper part is covered by the upper part of the pillow, the resulting device acting like a hood preventing the direct contact with cold air in the time of resting while allowing a normal breathing.

